

Solstice Font Liquid Cooling Kit – Installation Manual

Overview

Thank you for purchasing the Solstice Font Liquid Cooling Kit. This kit is designed to utilize the cooling power of your KegMaster Solstice to liquid-cool your beer font. By upgrading to a liquid-cooled system, you can eliminate "first pour foam" and significantly reduce beer waste.

Important Pre-Installation Notes

Before installing, please ensure that your beer font is floodable or has a dedicated cooling loop. If your font is not currently floodable, you will need to properly seal it beforehand to turn it into a floodable font. *Note: This kit is designed to cool your font better than a standard air-cooling setup; it is not intended to completely ice up the font.*

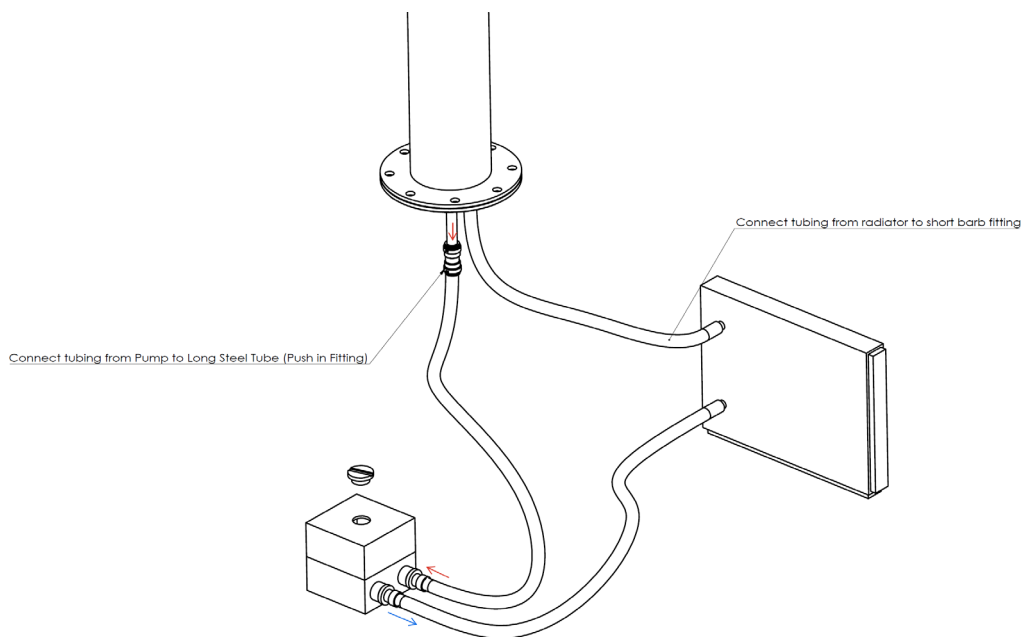
Package Contents

- 1x Heat Exchanger (Radiator)
 - 1x 12V Male-to-Male Jack Lead
 - 1x 12V Liquid Pump
 - Fittings, tubing, and accessories (including double-sided tape)
-

Step-by-Step Installation Guide



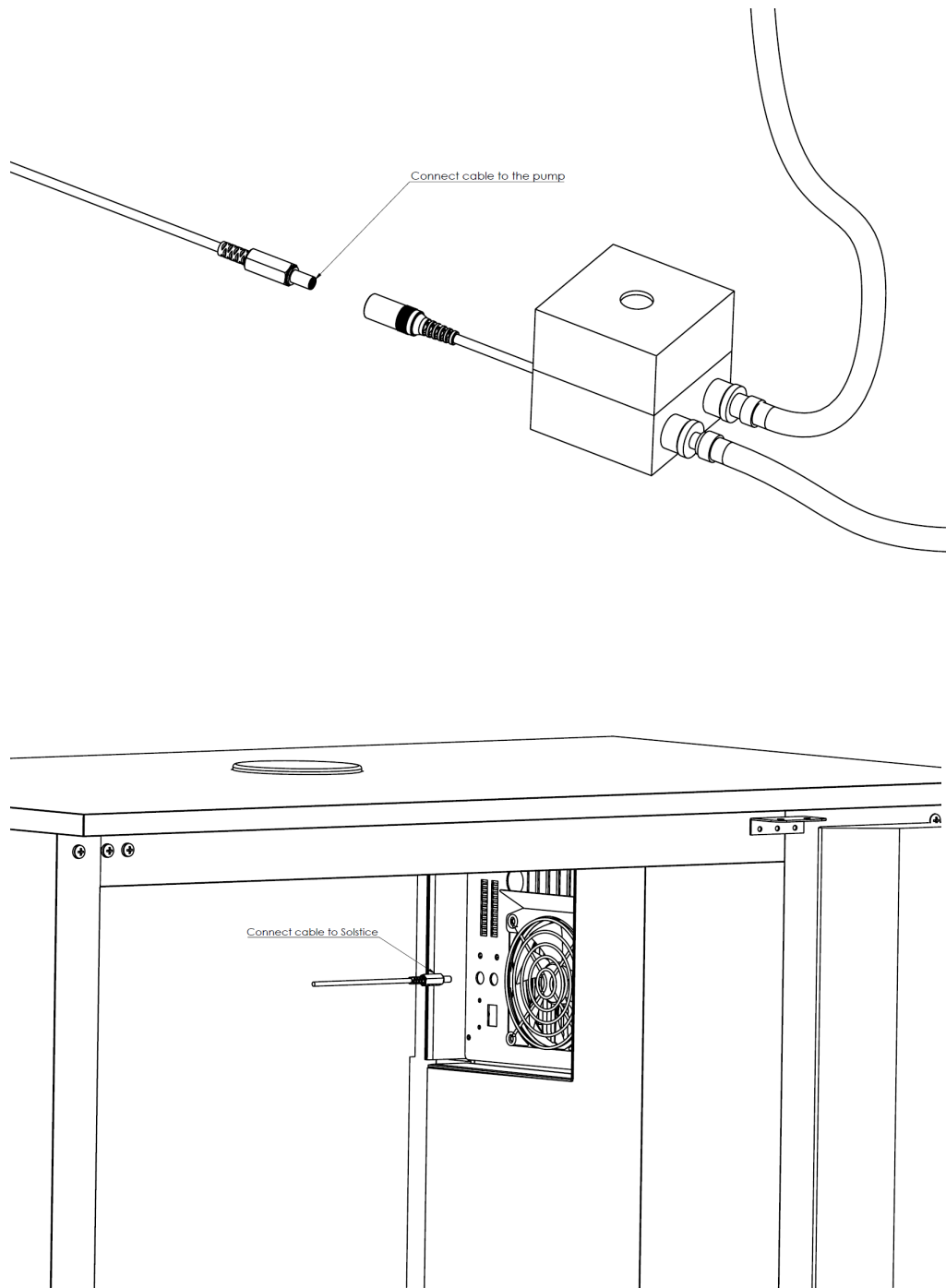
Part 1: Tubing Connections



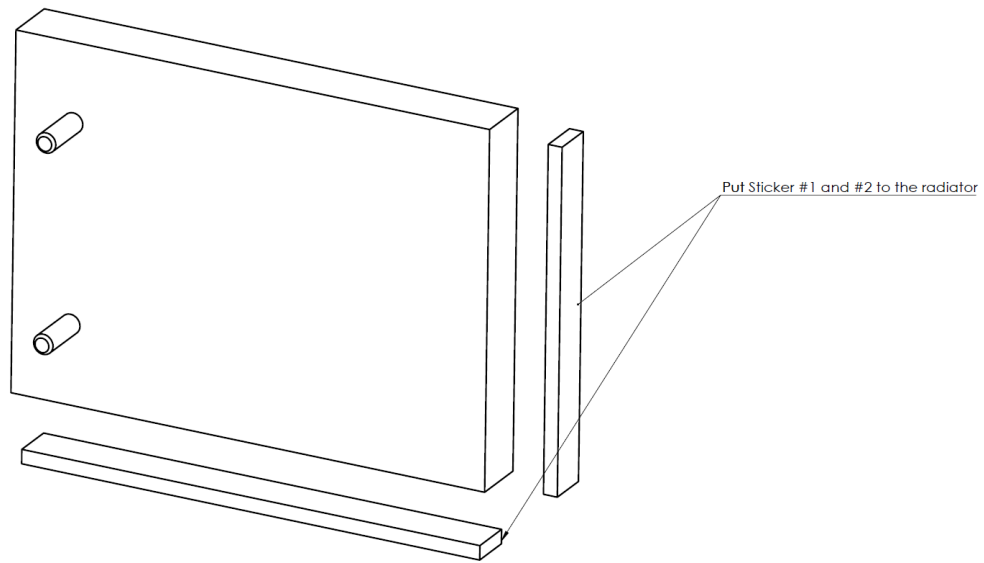
- 1. Connect the Pump to the Font:** Connect the tubing from the pump to the long steel tube on your font using a push-in fitting (Red arrow on the steel tube). You can find another arrow (UP Δ) on the pump.
- 2. Connect the Radiator Return:** Connect the return tubing from the radiator to the short barb fitting on the system. Ensure all connections are pushed in firmly to prevent any leaks.

Part 2: Wiring and Mounting

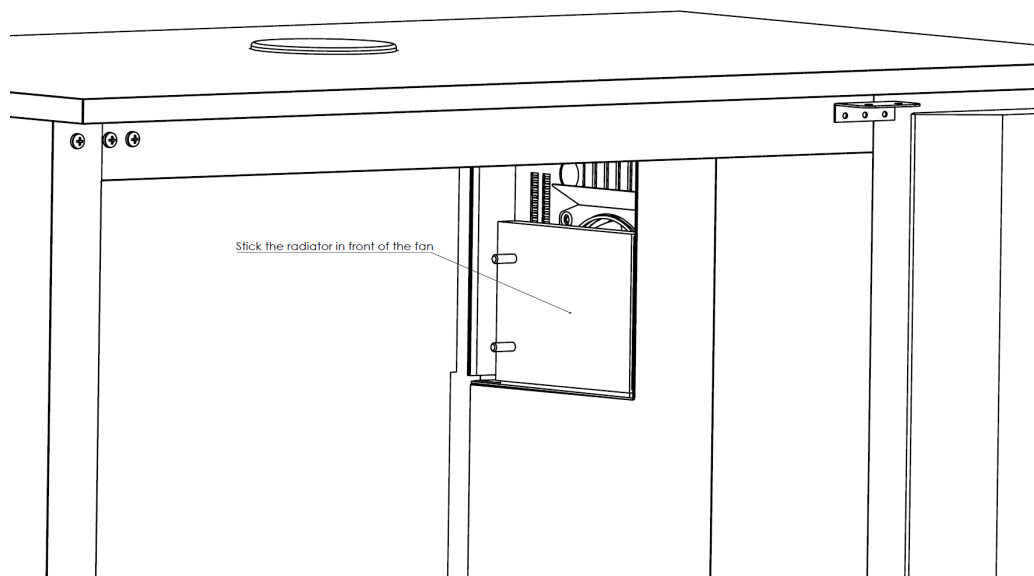
3. **Connect the Power:** Connect the power cable to the 12V pump, and plug the other end of the cable into your Solstice power port.



4. **Prepare the Radiator:** Locate the provided double-sided adhesive strips. Put Sticker #1 and #2 to the top and bottom edges of the radiator.



5. **Mount the Radiator:** Securely stick the radiator directly in front of the cooling fan inside your kegerator unit.



Part 3: Filling and Priming the System

6. **Activate the Pump:** Turn on the pump.

7. **Fill the System:** Locate the fill hole on the pump reservoir. Slowly fill water to this hole until the system is completely full.

8. **Seal the System:** Put the cap back on the fill hole only after there are no air bubbles left in the system. Your liquid-cooled font is now ready for use!

1. Turn on the pump
2. Fill water to this hole until the system is full
3. Put the cap back after no air bubbles in the system

